



MUST BE GIVEN TO THE CUSTOMER!

### QUICK GUIDE

BEDIENUNGSANLEITUNG  
ISTRUZIONI BREVI  
GUÍA RÁPIDA  
GUIDE RAPIDE  
クイックガイド

### 4. BINDING

**LIFETIME GUARANTEE**  
HANDMADE IN GERMANY

ALL DYNAFIT BINDINGS PURCHASED AFTER NOVEMBER 1<sup>ST</sup>, 2019, WILL COME WITH A LIFETIME GUARANTEE.

DYNAFIT guarantees a lifetime without defects in material or workmanship on all bindings.

If you register your DYNAFIT binding under <http://www.dynafit.com/service> we will upgrade your guarantee from 2 to 10 years – which is equivalent to the lifetime of a ski touring binding.

Damage caused by normal wear and tear, misuse, modification, unauthorized repairs or abuse are not covered by this guarantee.

Find more information on [DYNAFIT.COM](http://DYNAFIT.COM)

## BLACKLIGHT 88 SKI SET BLACKLIGHT 88 W SKI SET

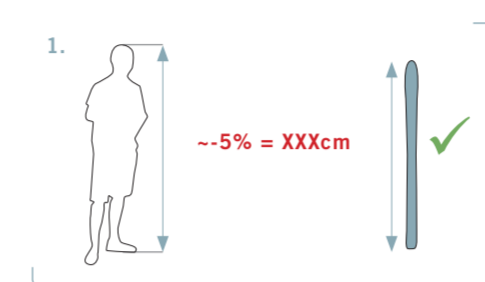
### WHAT'S IN THE SET

**LIFETIME GUARANTEE**  
HANDMADE IN GERMANY

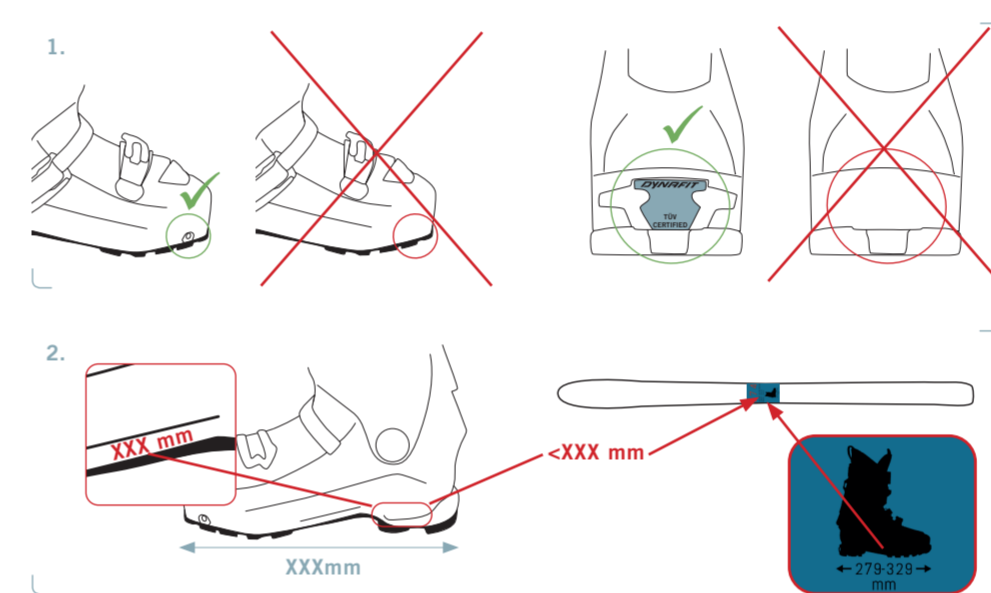


### FIRST STEPS

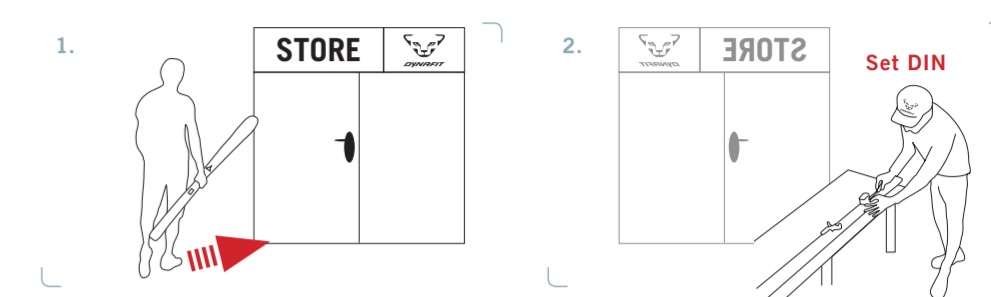
#### 1. SKI



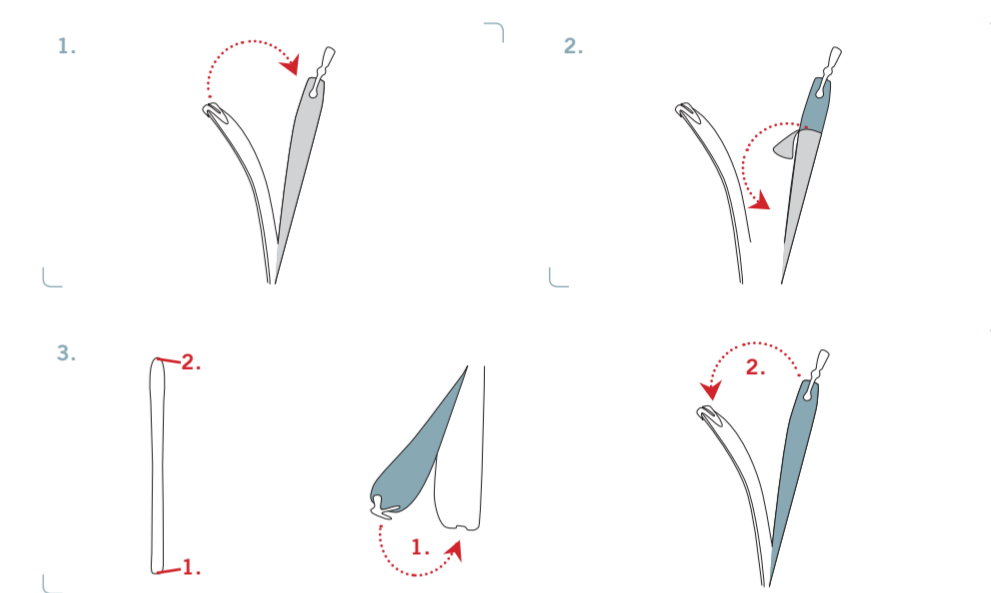
#### 2. BOOT



#### 3. BINDING SETTING

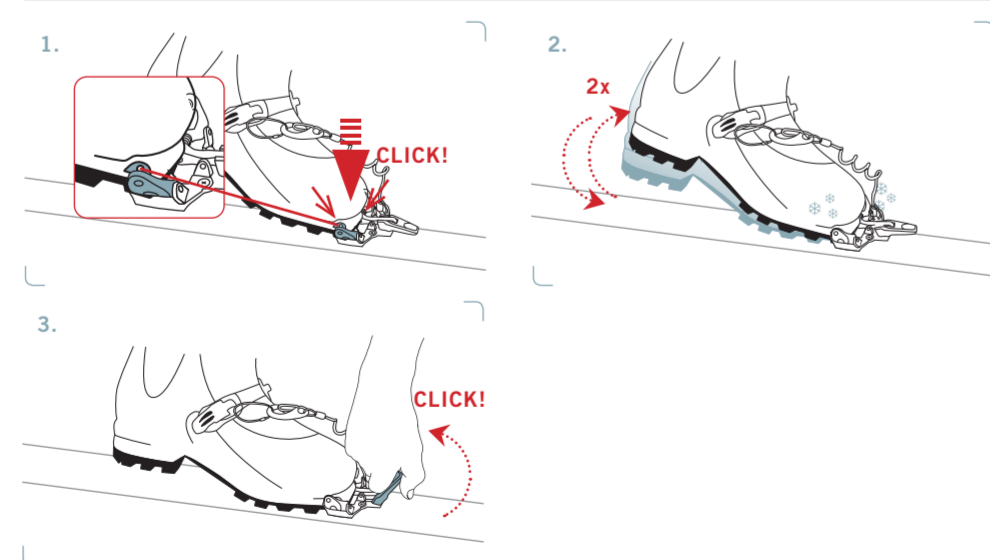


#### 4. SKIN

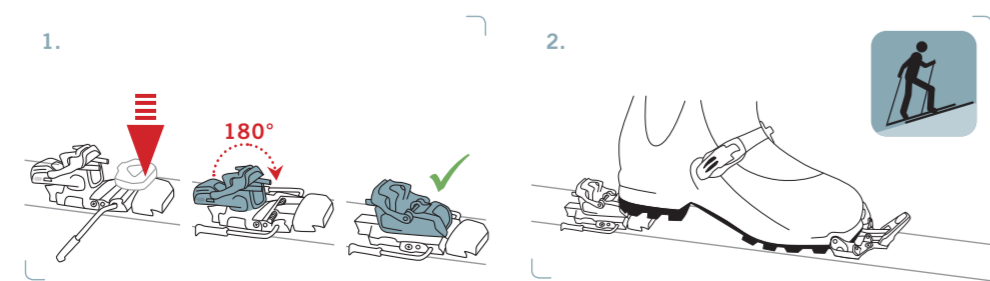


**LIFETIME GUARANTEE**  
HANDMADE IN GERMANY

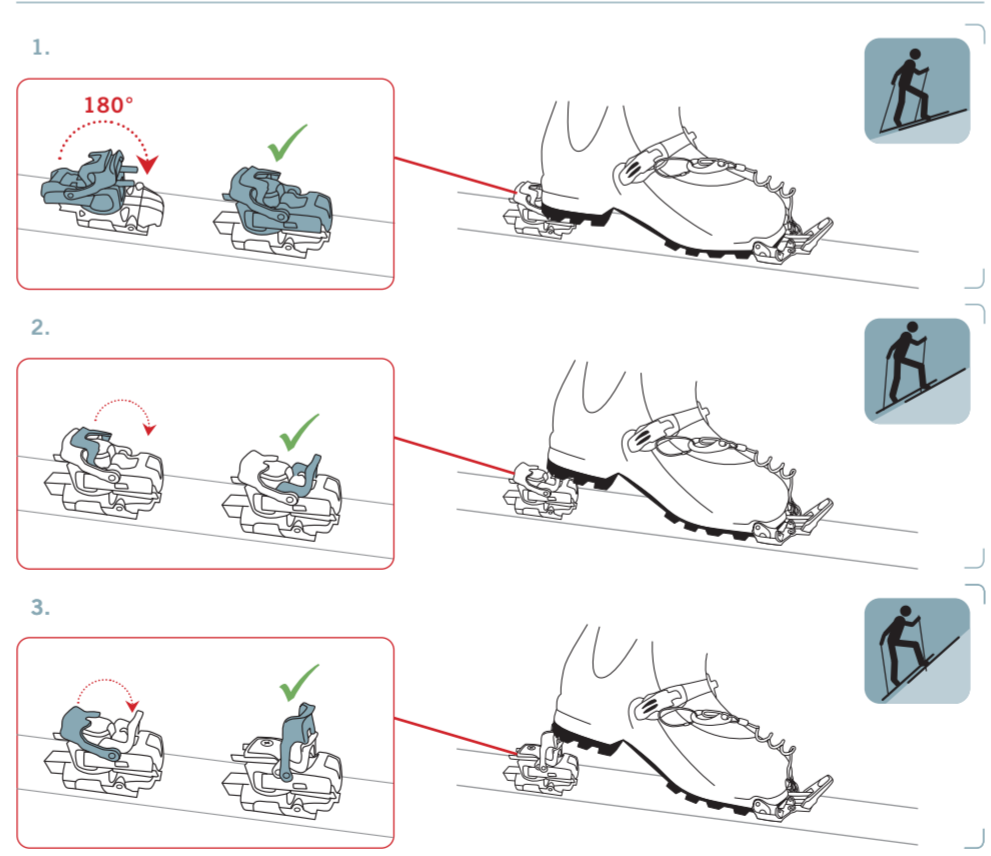
#### STEP IN



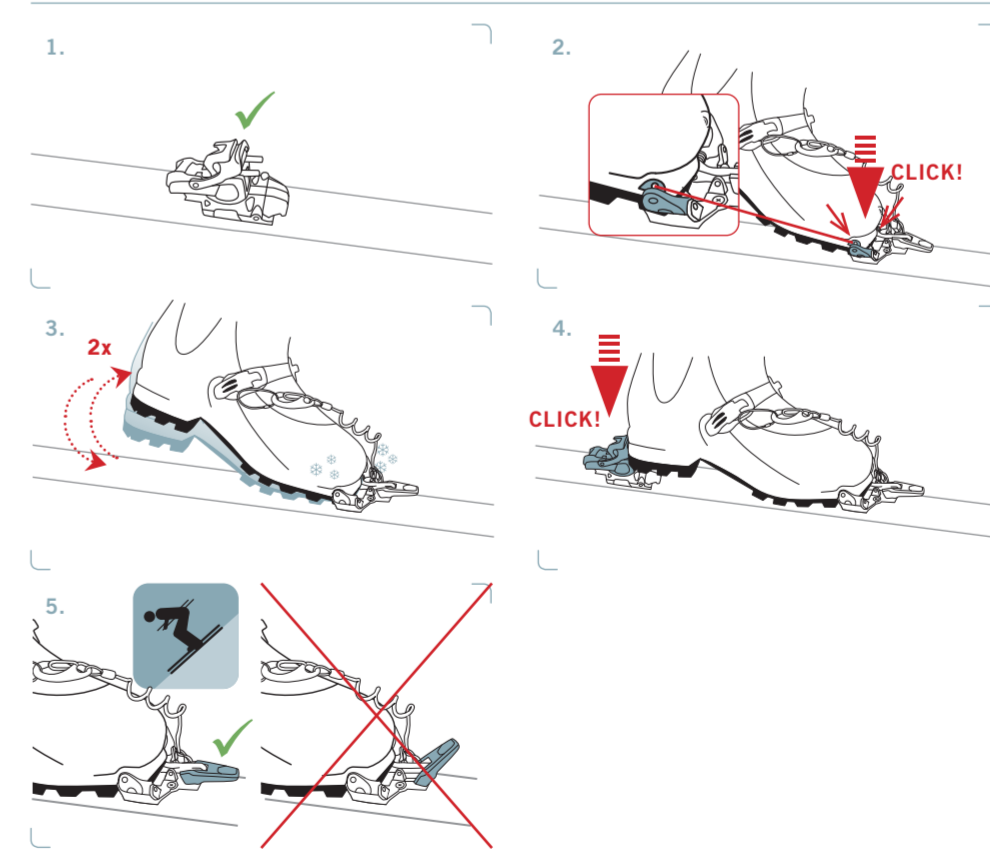
#### PREPARING CLIMB MODE BRAKE



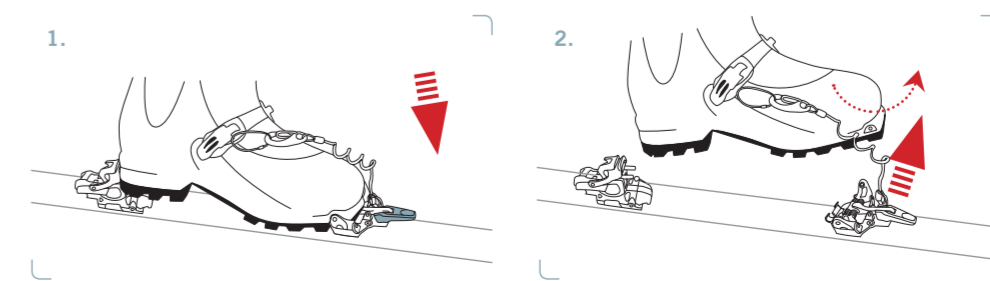
#### CLIMB MODE



#### DESCENT MODE



#### STEP OUT



ENJOY THE SNOW & SPEEDUP

DEAR SKI TOURER,  
Thank you for selecting DYNAFIT. You have chosen a product with high quality standards handmade in GERMANY.

Serial Number  
REFER TO EACH OF THE FRONT AND BACK PART OF YOUR BINDINGS TO FIND YOUR 6 DIGIT SERIAL NUMBER. 4 DIFFERENT NUMBERS ARE REQUIRED TO REGISTER (2 FRONT – 2 REAR)

Read and download entire manual on <http://www.dynafit.com/service>  
If you can't find your language, please contact us: +44 1625 467202 | [info@dynafit.de](mailto:info@dynafit.de)

#SPEEDUP

# BLACKLIGHT LONG TRAVEL BINDING

## SAFETY NOTES

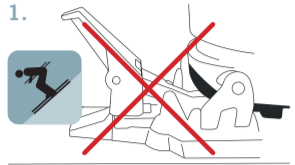
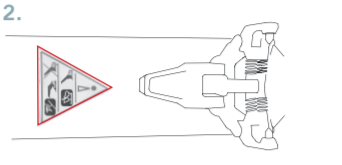
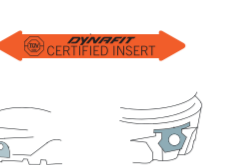
## SICHERHEITSHINWEISE

## AVVISO DI SICUREZZA

## AVISO DE SEGURIDAD

## CONSIGNES DE SÉCURITÉ

## セキュリティ

- 
- 
- 

1. Please be sure to take note that no release is desired at the toe piece in the locked position, and thus there is also no possibility of such (see figure 1).

2. Therefore careful attention is essential for a descent that the locking lever at the toe piece should not be in the climbing position, since otherwise there is no possibility of a safe release and there is a risk of injury. Please read the sticker on the ski! The sticker must not be removed from the ski (see figure 2).

3. Because adjustments depend not only on the type of binding and boot but also on the type of skier, they should be exclusively carried out by an authorized dealer. Binding settings must be controlled by a suitable test device. Installation and setting by an unauthorized person will always be at the risk of the skier, will invalidate the warranty and may result in increased risk of injury to the skier.

4. In order to maintain the safety functions, please avoid unauthorized adaptation of your ski binding, and have adjustments or adaptions completed by a specialist dealer. Incorrect setting, adaptation or maintenance may increase the risk of injury.

5. Prior to every use, check the function of your ski binding and inspect it for defective or missing parts. If required, have your equipment repaired by a specialist dealer. You risk exposing yourself to injury if you continue using an impaired ski binding.

6. As a skier you must be aware of the risks of this type of sport. For this reason, adapt your skiing style and the choice of downhill skiing to your skills and capabilities.

7. Select your tours carefully. Do not overestimate your capabilities.

8. Observe the warnings and instructions in the skiing area. Strictly adhere to weather and avalanche warnings.

9. Do not ski if you are not physically fit, if you feel tired or if you are under the influence of alcohol, drugs or medication.

10. On a ski tour, there is the chance for challenging environmental conditions such as frost, low snow, snow bridges and ice. These conditions could require specialist inspection and maintenance by a specialist dealer.

**ENGLISH**  *DYNAFIT only guarantees perfect boot-binding function when used with DYNAFIT CERTIFIED INSERTS (see figure 3), carried by the following boot manufacturers*

**DEUTSCH**  *DYNAFIT garantiert eine perfekte Schuh-Bindungsfunktion nur mit DYNAFIT CERTIFIED INSERTS (siehe Bild 3). Diese Inserts sind exklusiv in allen Schuhmodellen folgender Tourenschuh Hersteller verbaut:*

**ITALIANO**  *DYNAFIT garantisce la perfetta funzionalità fra scarpono e attacco con gli DYNAFIT CERTIFIED INSERTS (vedi foto 3) offerti dalle seguenti aziende produttrici di scarponi:*

**ESPAÑOL**  *DYNAFIT únicamente garantiza una fijación perfecta de las botas si estas disponen de DYNAFIT CERTIFIED INSERTS (véase la imagen 3), suministrados por los siguientes fabricantes de botas de travesía:*

**FRANÇAIS**  *DYNAFIT garantit uniquement le bon fonctionnement de l'ensemble chaussure-fixation avec les DYNAFIT CERTIFIED INSERTS (voir illustration 3) proposés par les fabricants de chaussures de ski randonnée suivants:*

日本の

DYNAFITは、DYNAFIT認定インサート(画像参照)で完璧なシューズ固定機能を保証いたします。このインサートは、次のツーリングシューズメーカーにてご提供しております。

\* For ONLY the following Boot Model: **DISPATCH** \*\* For WEDZE only the following Boot Models: **FR 120 LT & FR 100 LT**

**SCARPA** **FISCHER** **NORDICA** **TECNICA** **ROSSIGNOL** **LANE** **ROXIA**

**DAWID** **MOVEMENT** **SCOTT** **HEAD** **CRISP** **DaleBoot** **K2** **WEDZE**

**MOVEMENT** **SCOTT** **HEAD** **CRISP** **DaleBoot** **K2** **WEDZE**

**DAWID** **MOVEMENT** **SCOTT** **HEAD** **CRISP** **DaleBoot** **K2** **WEDZE**

**DAWID** **MOVEMENT** **SCOTT** **HEAD** **CRISP** **DaleBoot** **K2** **WEDZE**

# SPEEDSKIN BLACKLIGHT 88

## BEDIENUNGSANLEITUNG

## USER INSTRUCTIONS

## ISTRUZIONI PER L'USO

## NOTICE D'EMPLOI

Hook the end hook over the tail of the ski and attach the middle of the ski base. Fix the Speedskin Fix tensioner into the notch at the tip of the DYNAFIT ski and check that it is not pulled taut. (The tip tensioner only serves to attach the skin to the tip of the ski. It is never used for it to be excessively taut, since the rest of the skin is attached to the ski base.)

**HANDLING, TRANSPORTATION AND MAINTENANCE OF DYNAFIT SPEEDSKINS:**

- Before attaching the skins, check that the underside of the skin is clean, dry and free from snow residue. If necessary, carefully dry them with a towel, a glove or a piece of fleece fabric. Avoid allowing the skin's adhesive surface to come into contact with snow, dust or mud.

- DYNAFIT Speedskins must be stored folded in half with the adhesive sides flush together. The adhesive is inactivated by air and dries out. If the skins are kept apart, so it is not necessary to use any protective foil between DYNAFIT skins.



**ITALIANO**  *Utilizza l'apposita sacca DYNAFIT per riporre le pelli (ma assicurati che non siano mai bagnate), in particolare quando non saranno utilizzate a lungo.*

*Al termine di una salita, se la temperatura non è elevata, fai attenzione a non lasciare asciugare le pelli sugli sci posti verticalmente sotto la luce diretta del sole. I raggi UV e il calore elevato danneggiano la superficie adesiva.*

*Durante un'uscita con le pelli, presta particolare attenzione alle discese brevi. La neve può piovare sporadicamente e può essere molto umida. La neve fatisca può nascondere pietre o frammenti che possono danneggiare considerevolmente la pelle.*

*Alla fine dello scionto, conserva le pelli in un luogo pulito, fresco e al buio, non eccessivamente umido o secco. Consigliamo di piegare le pelli l'una sull'altra, adessivo contro adessivo.*

*Per aumentare le proprietà di scioglimento e di adesione della pelle, utilizza la nostra speciale pasta per pelli DYNAFIT (fig. 2) a intervalli regolari!*

**COMPIC MONTARE UNA PELLE DYNAFIT SPEEDSKIN:**  *Applica il gancio per coda alla coda dello sci e incolla la pelle al centro della soletta, quindi fissa il puntale alla punta dello sci e fai attenzione che non sia in tensione. Il tenditore di testa si è solo scopo di fissare la pelle alla punta. Il resto della pelle si incolla sulla soletta e pertanto non è necessaria una tensione eccessiva.)*

**MANEGLIO, TRASPORTO E CURA DELLE PELLI DYNAFIT SPEEDSKIN:**

- Prima di applicare la pelle, verifica che la soletta degli sci sia pulita, asciutta e priva di residui di neve. Se necessario, asciugala accuratamente con un asciugamano, un guanto o un panno di lana. Assicurati che la superficie adesiva della pelle non venga a contatto con neve, polvere o fango.

- Le pelli DYNAFIT Speedskin devono essere piegate a metà, adessivo contro adessivo, e così conservate. Separando nuovamente le pelli, la parte adesiva viene riattivata, per cui non è necessario utilizzare una pellicola protettiva tra le pelli DYNAFIT.

- Le pelli umide o bagnate non devono asciugare a contatto tra loro. Assicurati che le pelli asciughino a temperatura ambiente e non da una fonte diretta di calore.

**DYNAFIT SPEEDSKIN QUALITIES**  *Speedskin: 70% Mohair / 30% Nylon*

**DYNAFIT SPEEDSKIN QUALITIES**  *Speedskin: 70% Mohair / 30% Nylon*

**DYNAFIT SPEEDSKIN QUALITIES**  *Speedskin: 70% Mohair / 30% Nylon*

**DYNAFIT SPEEDSKIN QUALITIES**  *Speedskin: 70% Mohair / 30% Nylon*

**DYNAFIT SPEEDSKIN QUALITIES**  *Speedskin: 70% Mohair / 30% Nylon*

**DYNAFIT SPEEDSKIN QUALITIES**  *Speedskin: 70% Mohair / 30% Nylon*

**DYNAFIT SPEEDSKIN QUALITIES**  *Speedskin: 70% Mohair / 30% Nylon*

**DYNAFIT SPEEDSKIN QUALITIES**  *Speedskin: 70% Mohair / 30% Nylon*

**DYNAFIT SPEEDSKIN QUALITIES**  *Speedskin: 70% Mohair / 30% Nylon*

**DYNAFIT SPEEDSKIN QUALITIES**  *Speedskin: 70% Mohair / 30% Nylon*

**ENGLISH**  *For inserts from other manufacturers, DYNAFIT cannot guarantee correct functioning and quality. Find a list of our current insert partners at: <http://www.dynafit.com/service>.*

**ENGLISH**  *For inserts from other manufacturers, DYNAFIT cannot guarantee correct functioning and quality. Find a list of our current insert partners at: <http://www.dynafit.com/service>.*

**ENGLISH**  *For inserts from other manufacturers, DYNAFIT cannot guarantee correct functioning and quality. Find a list of our current insert partners at: <http://www.dynafit.com/service>.*

**ENGLISH**  *For inserts from other manufacturers, DYNAFIT cannot guarantee correct functioning and quality. Find a list of our current insert partners at: <http://www.dynafit.com/service>.*

**ENGLISH**  *For inserts from other manufacturers, DYNAFIT cannot guarantee correct functioning and quality. Find a list of our current insert partners at: <http://www.dynafit.com/service>.*

**ENGLISH**  *For inserts from other manufacturers, DYNAFIT cannot guarantee correct functioning and quality. Find a list of our current insert partners at: <http://www.dynafit.com/service>.*

**ENGLISH**  *For inserts from other manufacturers, DYNAFIT cannot guarantee correct functioning and quality. Find a list of our current insert partners at: <http://www.dynafit.com/service>.*

**ENGLISH**  *For inserts from other manufacturers, DYNAFIT cannot guarantee correct functioning and quality. Find a list of our current insert partners at: <http://www.dynafit.com/service>.*

**ENGLISH**  *For inserts from other manufacturers, DYNAFIT cannot guarantee correct functioning and quality. Find a list of our current insert partners at: <http://www.dynafit.com/service>.*

**ENGLISH**  *For inserts from other manufacturers, DYNAFIT cannot guarantee correct functioning and quality. Find a list of our current insert partners at: <http://www.dynafit.com/service>.*

**ENGLISH**  *For inserts from other manufacturers, DYNAFIT cannot guarantee correct functioning and quality. Find a list of our current insert partners at: <http://www.dynafit.com/service>.*

**ENGLISH**  *For inserts from other manufacturers, DYNAFIT cannot guarantee correct functioning and quality. Find a list of our current insert partners at: <http://www.dynafit.com/service>.*

**ENGLISH**  *For inserts from other manufacturers, DYNAFIT cannot guarantee correct functioning and quality. Find a list of our current insert partners at: <http://www.dynafit.com/service>.*

**ENGLISH**  *For inserts from other manufacturers, DYNAFIT cannot guarantee correct functioning and quality. Find a list of our current insert partners at: <http://www.dynafit.com/service>.*

**ENGLISH**  *For inserts from other manufacturers, DYNAFIT cannot guarantee correct functioning and quality. Find a list of our current insert partners at: <http://www.dynafit.com/service>.*

**ENGLISH**  *For inserts from other manufacturers, DYNAFIT cannot guarantee correct functioning and quality. Find a list of our current insert partners at: <http://www.dynafit.com/service>.*

**ENGLISH**  *For inserts from other manufacturers, DYNAFIT cannot guarantee correct functioning and quality. Find a list of our current insert partners at: <http://www.dynafit.com/service>.*

**ENGLISH**  *For inserts from other manufacturers, DYNAFIT cannot guarantee correct functioning and quality. Find a list of our current insert partners at: <http://www.dynafit.com/service>.*

**ENGLISH**  *For inserts from other manufacturers, DYNAFIT cannot guarantee correct functioning and quality. Find a list of our current insert partners at: <http://www.dynafit.com/service>.*

**ENGLISH**  *For inserts from other manufacturers, DYNAFIT cannot guarantee correct functioning and quality. Find a list of our current insert partners at: <http://www.dynafit.com/service>.*

**ENGLISH**  *For inserts from other manufacturers, DYNAFIT cannot guarantee correct functioning and quality. Find a list of our current insert partners at: <http://www.dynafit.com/service>.*

**ENGLISH**  *For inserts from other manufacturers, DYNAFIT cannot guarantee correct functioning and quality. Find a list of our current insert partners at: <http://www.dynafit.com/service>.*

**ENGLISH**  *For inserts from other manufacturers, DYNAFIT cannot guarantee correct functioning and quality. Find a list of our current insert partners at: <http://www.dynafit.com/service>.*

**ENGLISH**  *For inserts from other manufacturers, DYNAFIT cannot guarantee correct functioning and quality. Find a list of our current insert partners at: <http://www.dynafit.com/service>.*

**ENGLISH**  *For inserts from other manufacturers, DYNAFIT cannot guarantee correct functioning and quality. Find a list of our current insert partners at: <http://www.dynafit.com/service>.*

**ENGLISH**  *For inserts from other manufacturers, DYNAFIT cannot guarantee correct functioning and quality. Find a list of our current insert partners at: <http://www.dynafit.com/service>.*

**ENGLISH**  *For inserts from other manufacturers, DYNAFIT cannot guarantee correct functioning and quality. Find a list of our current insert partners at: <http://www.dynafit.com/service>.*

**ENGLISH**  *For inserts from other manufacturers, DYNAFIT cannot guarantee correct functioning and quality. Find a list of our current insert partners at: <http://www.dynafit.com/service>.*

**ENGLISH**  *For inserts from other manufacturers, DYNAFIT cannot guarantee correct functioning and quality. Find a list of our current insert partners at: <http://www.dynafit.com/service>.*

**ENGLISH**  *For inserts from other manufacturers, DYNAFIT cannot guarantee correct functioning and quality. Find a list of our current insert partners at: <http://www.dynafit.com/service>.*

**ENGLISH**  *For inserts from other manufacturers, DYNAFIT cannot guarantee correct functioning and quality. Find a list of our current insert partners at: <http://www.dynafit.com/service>.*

**ENGLISH**  *For inserts from other manufacturers, DYNAFIT cannot guarantee correct functioning and quality. Find a list of our current insert partners at: <http://www.dynafit.com/service>.*

**ENGLISH**  *For inserts from other manufacturers, DYNAFIT cannot guarantee correct functioning and quality. Find a list of our current insert partners at: <http://www.dynafit.com/service>.*

**ENGLISH**  *For inserts from other manufacturers, DYNAFIT cannot guarantee correct functioning and quality. Find a list of our current insert partners at: <http://www.dynafit.com/service>.*

**ENGLISH**  *For inserts from other manufacturers, DYNAFIT cannot guarantee correct functioning and quality. Find a list of our current insert partners at: <http://www.dynafit.com/service>.*

**ENGLISH**  *For inserts from other manufacturers, DYNAFIT cannot guarantee correct functioning and quality. Find a list of our current insert partners at: <http://www.dynafit.com/service>.*

**ENGLISH**  *For inserts from other manufacturers, DYNAFIT cannot guarantee correct functioning and quality. Find a list of our current insert partners at: <http://www.dynafit.com/service>.*

**ENGLISH**  *For inserts from other manufacturers, DYNAFIT cannot guarantee correct functioning and quality. Find a list of our current insert partners at: <http://www.dynafit.com/service>.*

**ENGLISH**  *For inserts from other manufacturers, DYNAFIT cannot guarantee correct functioning and quality. Find a list of our current insert partners at: <http://www.dynafit.com/service>.*

**ENGLISH**  *For inserts from other manufacturers, DYNAFIT cannot guarantee correct functioning and quality. Find a list of our current insert partners at: <http://www.dynafit.com/service>.*

**ENGLISH**  *For inserts from other manufacturers, DYNAFIT cannot guarantee correct functioning and quality. Find a list of our current insert partners at: <http://www.dynafit.com/service>.*

**ENGLISH**  *For inserts from other manufacturers, DYNAFIT cannot guarantee correct functioning and quality. Find a list of our current insert partners at: <http://www.dynafit.com/service>.*

**ENGLISH**  *For inserts from other manufacturers, DYNAFIT cannot guarantee correct functioning and quality. Find a list of our current insert partners at: <http://www.dynafit.com/service>.*

**ENGLISH**  *For inserts from other manufacturers, DYNAFIT cannot guarantee correct functioning and quality. Find a list of our current insert partners at: <http://www.dynafit.com/service>.*

**ENGLISH**  *For inserts from other manufacturers, DYNAFIT cannot guarantee correct functioning and quality. Find a list of our current insert partners at: <http://www.dynafit.com/service>.*

**ENGLISH**  *For inserts from other manufacturers, DYNAFIT cannot guarantee correct functioning and quality. Find a list of our current insert partners at: <http://www.dynafit.com/service>.*

**ENGLISH**  *For inserts from other manufacturers, DYNAFIT cannot guarantee correct functioning and quality. Find a list of our current insert partners at: <http://www.dynafit.com/service>.*

**ENGLISH**  *For inserts from other manufacturers, DYNAFIT cannot guarantee correct functioning and quality. Find a list of our current insert partners at: <http://www.dynafit.com/service>.*

**ENGLISH**  *For inserts from other manufacturers, DYNAFIT cannot guarantee correct functioning and quality. Find a list of our current insert partners at: <http://www.dynafit.com/service>.*

**ENGLISH**  *For inserts from other manufacturers, DYNAFIT cannot guarantee correct functioning and quality. Find a list of our current insert partners at: <http://www.dynafit.com/service>.*

**ENGLISH**  *For inserts from other manufacturers, DYNAFIT cannot guarantee correct functioning and quality. Find a list of our current insert partners at: <http://www.dynafit.com/service>.*

**ENGLISH**  *For inserts from other manufacturers, DYNAFIT cannot guarantee correct functioning and quality. Find a list of our current insert partners at: <http://www.dynafit.com/service>.*

**ENGLISH**  *For inserts from other manufacturers, DYNAFIT cannot guarantee correct functioning and quality. Find a list of our current insert partners at: <http://www.dynafit.com/service>.*

**ENGLISH**  *For inserts from other manufacturers, DYNAFIT cannot guarantee correct functioning and quality. Find a list of our current insert partners at: <http://www.dynafit.com/service>.*

**ENGLISH**  *For inserts from other manufacturers, DYNAFIT cannot guarantee correct functioning and quality. Find a list of our current insert partners at: <http://www.dynafit.com/service>.*

**ENGLISH**  *For inserts from other manufacturers, DYNAFIT cannot guarantee correct functioning and quality. Find a list of our current insert partners at: <http://www.dynafit.com/service>.*

**ENGLISH**  *For inserts from other manufacturers, DYNAFIT cannot guarantee correct functioning and quality. Find a list of our current insert partners at: <http://www.dynafit.com/service>.*

**ENGLISH**  *For inserts from other manufacturers, DYNAFIT cannot guarantee correct functioning and quality. Find a list of our current insert partners at: <http://www.dynafit.com/service>.*

**ENGLISH**  *For inserts from other manufacturers, DYNAFIT cannot guarantee correct functioning and quality. Find a list of our current insert partners at: <http://www.dynafit.com/service>.*

**ENGLISH**  *For inserts from other manufacturers, DYNAFIT cannot guarantee correct functioning and quality. Find a list of our current insert partners at: <http://www.dynafit.com/service>.*

**ENGLISH**  *For inserts from other manufacturers, DYNAFIT cannot guarantee correct functioning and quality. Find a list of our current insert partners at: <http://www.dynafit.com/service>.*

**ENGLISH**  *For inserts from other manufacturers, DYNAFIT cannot guarantee correct functioning and quality. Find a list of our current insert partners at: <http://www.dynafit.com/service>.*

**ENGLISH**  *For inserts from other manufacturers, DYNAFIT cannot guarantee correct functioning and quality. Find a list of our current insert partners at: <http://www.dynafit.com/service>.*

**ENGLISH**  *For inserts from other manufacturers, DYNAFIT cannot guarantee correct functioning and quality. Find a list of our current insert partners at: <http://www.dynafit.com/service>.*

**ENGLISH**  *For inserts from other manufacturers, DYNAFIT cannot guarantee correct functioning and quality. Find a list of our current insert partners at: <http://www.dynafit.com/service>.*

**ENGLISH**  *For inserts from other manufacturers, DYNAFIT cannot guarantee correct functioning and quality. Find a list of our current insert partners at: <http://www.dynafit.com/service>.*

**ENGLISH**  *For inserts from other manufacturers, DYNAFIT cannot guarantee correct functioning and quality. Find a list of our current insert partners at: <http://www.dynafit.com/service>.*

**ENGLISH**  *For inserts from other manufacturers, DYNAFIT cannot guarantee correct functioning and quality. Find a list of our current insert partners at: <http://www.dynafit.com/service>.*

**ENGLISH**  *For inserts from other manufacturers, DYNAFIT cannot guarantee correct functioning and quality. Find a list of our current insert partners at: <http://www.dynafit.com/service>.*

**ENGLISH**  *For inserts from other manufacturers, DYNAFIT cannot guarantee correct functioning and quality. Find a list of our current insert partners at: <http://www.dynafit.com/service>.*

**ENGLISH**  *For inserts from other manufacturers, DYNAFIT cannot guarantee correct functioning and quality. Find a list of our current insert partners at: <http://www.dynafit.com/service>.*

**ENGLISH**  *For inserts from other manufacturers, DYNAFIT cannot guarantee correct functioning and quality. Find a list of our current insert partners at: <http://www.dynafit.com/service>.*

**ENGLISH**  *For inserts from other manufacturers, DYNAFIT cannot guarantee correct functioning and quality. Find a list of our current insert partners at: <http://www.dynafit.com/service>.*

**ENGLISH**  *For inserts from other manufacturers, DYNAFIT cannot guarantee correct functioning and quality. Find a list of our current insert partners at: <http://www.dynafit.com/service>.*

**ITALIANO**  *DYNAFIT non garantisce il corretto funzionamento e la qualità di inserti di altre aziende produttrici. La lista aggiornata dei nostri partner per gli inserti si trova su: <http://www.dynafit.com/service>.*

**ITALIANO**  *DYNAFIT non garantisce il corretto funzionamento e la qualità di inserti di altre aziende produttrici. La lista aggiornata dei nostri partner per gli inserti si trova su: <http://www.dynafit.com/service>.*

**ITALIANO**  *DYNAFIT non garantisce il corretto funzionamento e la qualità di inserti di altre aziende produttrici. La lista aggiornata dei nostri partner per gli inserti si trova su: [http://www.dynafit.com/service</](http://www.dynafit.com/service)*